

The XC167CI is a new derivative of the popular C166 microcontroller family that is based on the enhanced C166S V2 architecture it outperforms existing 16-bit solutions. Impressive DSP performance and advanced interrupt handling combined with an integrated powerful peripheral set and a high performance on-chip flash makes the XC167CI the instrument of choice for demanding industrial and automotive applications. Additionally to the well-known C167 peripheral set the XC167CI has a flexible on-chip PWM unit for all kinds of motor control applications as well as an I²C-module.

The architecture of XC167CI has been optimized for high instruction throughput and minimum response time to external interrupts. Integrated intelligent peripheral systems reduce the need for CPU intervention. The high flexibility of this architecture perfectly supports the diverse and varying needs of different application areas such as industrial drives and control, or automotive body. All this combined in a small P-TQFP-144 package enables very high levels of system integration.



XC167CI

Applications

- Industrial Drives
- Industrial Controls
- Electrical Power Steering
- Body Control Modules

Features

- High performance 16-Bit C166S V2 CPU with 5-Stage Pipeline
- Single clock cycle instruction execution with 25 ns instruction time at 40 MHz CPU clock
- 25 ns multiplication (16 x 16-Bit) time at 40 MHz CPU clock
- DSP support with Built-in advanced MAC unit
- 16 MByte total linear address space for code and data
- Flexible Synchronous External Bus Interface
- 16-Priority-Level Interrupt System on 8 group levels

- On-chip debug controller and related interface to JTAG controller
- Gated clock concept (function related) for reduced power consumption and improved EMC
- 8 Kbytes on Chip RAM
- 128 Kbytes advanced Program Flash Memory
- Flexible System Control and Power Management
- Real Time Clock with alarm interrupt
- 16-Channel 10-Bit A/D Converter, conversion time < 3 μs
- Two 16-channel Capture/Compare Units with 2 independent time bases each
- CAPCOM6E module with two independent timers dedicated to PWM generation for AC and DC motor control
- I²C Bus module with 10-bit addressing and 400 kbit/s Data rate

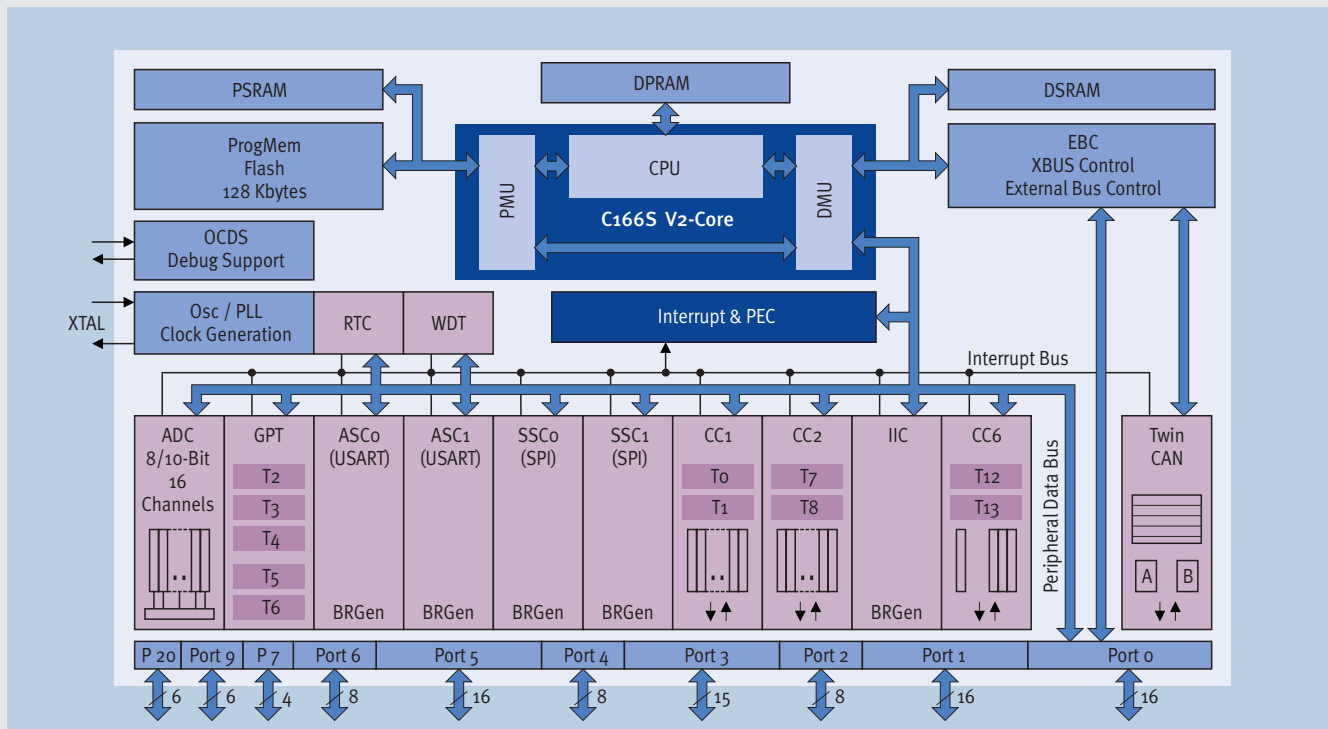
- Two Multifunctional General Purpose Timer units
- Two Asynchronous/Synchronous Serial Channels (USART)
- Two High Speed Synchronous Serial Channels (SPI)
- TwinCAN module, two Full-CAN nodes with 32 message buffers and gateway function and FIFO
- Up to 103 I/O Lines with individual bit addressability
- Package: P-TQFP-144 Plastic Thin Quad Flat Package
- Temperature Range: -40 °C to +125 °C
- Supply Voltage:
 - Core Supply: 2.5 V
 - Ports: 5.0 V

XC167CI

High Performance 16-Bit Microcontroller with Embedded Flash for Industrial Applications



XC167CI Block Diagram



Type	Order Code	Package
SAF-XC167CI-16F40F	Q67127-C2379	P-TQFP-144
SAK-XC167CI-16F40F	Q67127-C2375	P-TQFP-144



XC167CI

Application Example

- Industrial Controls
- Robotic Controls
- Industrial Networking
- Electrical Power Steering
- Body Control Modules
- Distributed Control

How to reach us:
<http://www.infineon.com>

Published by
 Infineon Technologies AG,
 St.-Martin-Strasse 53,
 81669 München

© Infineon Technologies AG 2002. All Rights Reserved.

Attention please!

The information herein is given to describe certain components and shall not be considered as warranted characteristics.

Terms of delivery and rights to technical change reserved.

We hereby disclaim any and all warranties, including but not limited to warranties of non-infringement, regarding circuits, descriptions and charts stated herein.

Infineon Technologies is an approved CECC manufacturer.

Information

For further information on technology, delivery terms and conditions and prices please contact your nearest Infineon Technologies Office in Germany or our Infineon Technologies Representatives worldwide.

Warnings

Due to technical requirements components may contain dangerous substances. For information on the types in question please contact your nearest Infineon Technologies Office.

Infineon Technologies Components may only be used in life-support devices or systems with the express written approval of Infineon Technologies, if a failure of such components can reasonably be expected to cause the failure of that life-support device or system, or to affect the safety or effectiveness of that device or system. Life support devices or systems are intended to be implanted in the human body, or to support and/or maintain and sustain and/or protect human life. If they fail, it is reasonable to assume that the health of the user or other persons may be endangered.