

The XC164CS is a new derivative of the popular C166 microcontroller families.

Based on the enhanced C166S V2 architecture it outperforms existing 16 bit solutions. Impressive DSP performance and advanced interrupt handling combined with a powerful integrated peripheral set and high performance on-chip Flash or ROM memory make the XC164CS the instrument of choice for demanding industrial and automotive applications like synchronous DC motor control, future head lamp concepts or effective power steering solutions.

The flexible and intelligent PWM unit simplifies control of AC-, DC- or reluctance motors. A high speed, high resolving ADC handles the fast and accurate translation of complex analog environment. Networked solutions can be confidently solved with powerful communication interfaces like the high speed TwinCAN module with autonomous gateway function.

All that combined in a small P-TQFP-100 package keeps your system costs under control.



XC164CS

Applications

- Intelligent Head Lamp Concepts
- Electrical Power Steering
- Airbag
- Body Control Modules
- Multi Phase Drive Control

Features

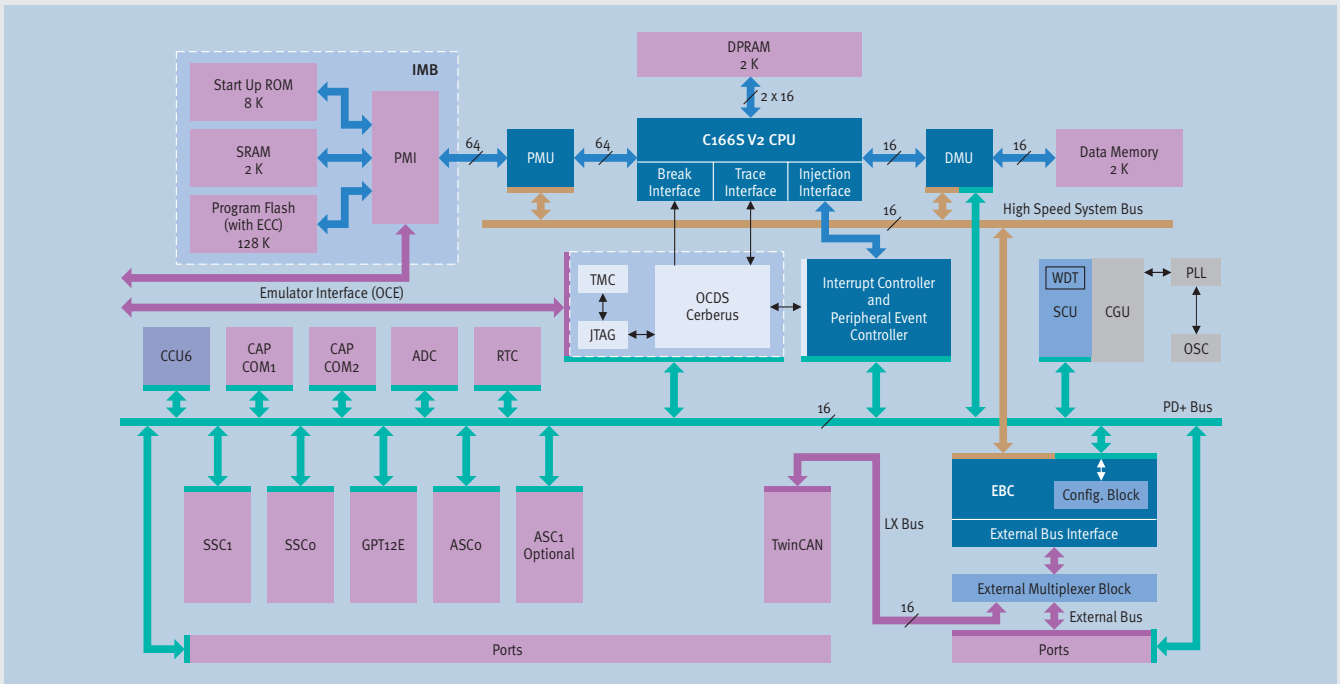
- High Performance 16-bit C166S V2 CPU with 5-Stage Pipeline
- Single clock cycle instruction execution with 25 ns instruction time at 40 MHz CPU clock
- 25 ns multiplication (16x16 bit) time at 40 MHz CPU clock
- DSP support with Built-in advanced MAC unit
- 16 MByte total linear address space for code and data

- Flexible Synchronous External Bus Interface
- 16-Priority-Level Interrupt System with 8 group levels each
- On-chip debug controller and related interface to JTAG controller
- Gated clock concept (function related) for reduced power consumption and improved EMC
- 6 KByte on chip RAM
- 128 KByte advanced Program Flash or ROM Memory
- Flexible System Control and Power Management
- Real Time Clock with alarm interrupt
- 14-Channel 10-bit A/D Converter, conversion time $\lt; 3 \mu\text{s}$
- Two 16-Channel Capture/Compare Units with 2 independent time bases each
- Two Multifunctional General Purpose Timer Units
- Asynchronous/Synchronous Serial Channels (USART)
- Two High Speed Synchronous Serial Channels (SPI)
- TwinCAN module, two Full-CAN nodes with 32 message buffers and gateway function
- CAPCOM6E module with two independent timers dedicated to PWM generation for AC and DC motor control
- Up to 79 I/O Lines with individual bit addressability
- Package: P-TQFP-100 Plastic Thin Quad Flat Package
- Temperature Range: -40°C to +125°C
- Supply Voltage:
 - Core Supply: 2.5 V
 - Ports: 5.0 V

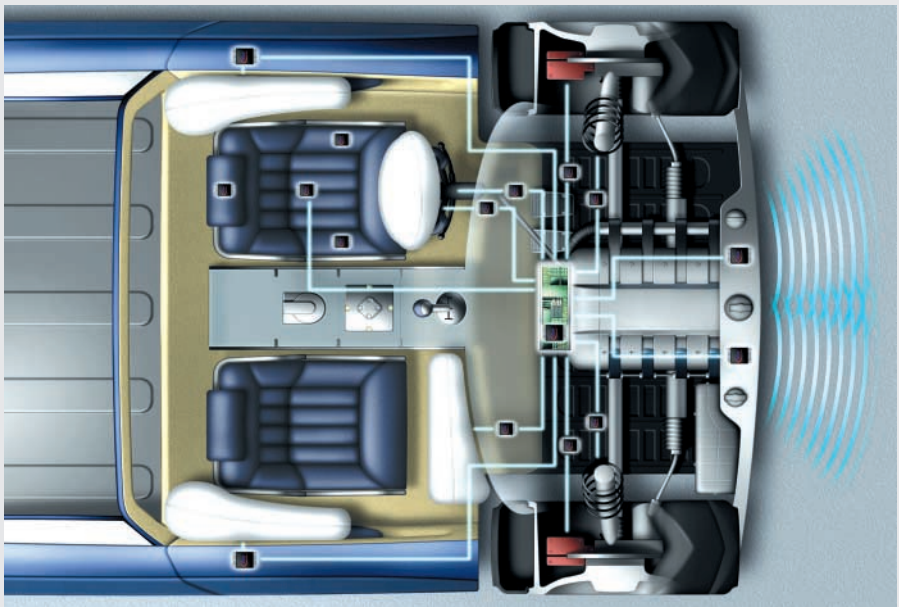
XC164CS
Performance with "Drive"



XC164CS Block Diagram



Type	Order Code	Package
SAF-XC164CS-16FF	Q67127-C2356	P-TQFP-100
SAK-XC164CS-16FF	Q67127-C2297	P-TQFP-100
SAF-XC164CS-16RF	Q67121-D*	P-TQFP-100
SAK-XC164CS-16RF	Q67121-D*	P-TQFP-100



XC164CS
 Best fit for automotive safety and drive control applications

How to reach us:
<http://www.infineon.com>

Published by
 Infineon Technologies AG,
 St.-Martin-Strasse 53,
 81541 München
 © Infineon Technologies AG 2002. All Rights Reserved.

Attention please!
 The information herein is given to describe certain components and shall not be considered as warranted characteristics. Terms of delivery and rights to technical change reserved. We hereby disclaim any and all warranties, including but not limited to warranties of non-infringement, regarding circuits, descriptions and charts stated herein. Infineon Technologies is an approved CECC manufacturer.

Information
 For further information on technology, delivery terms and conditions and prices please contact your nearest Infineon Technologies Office in Germany or our Infineon Technologies Representatives worldwide.

Warnings
 Due to technical requirements components may contain dangerous substances. For information on the types in question please contact your nearest Infineon Technologies Office.

Infineon Technologies Components may only be used in life-support devices or systems with the express written approval of Infineon Technologies, if a failure of such components can reasonably be expected to cause the failure of that life-support device or system, or to affect the safety or effectiveness of that device or system. Life support devices or systems are intended to be implanted in the human body, or to support and/or maintain and sustain and/or protect human life. If they fail, it is reasonable to assume that the health of the user or other persons may be endangered.