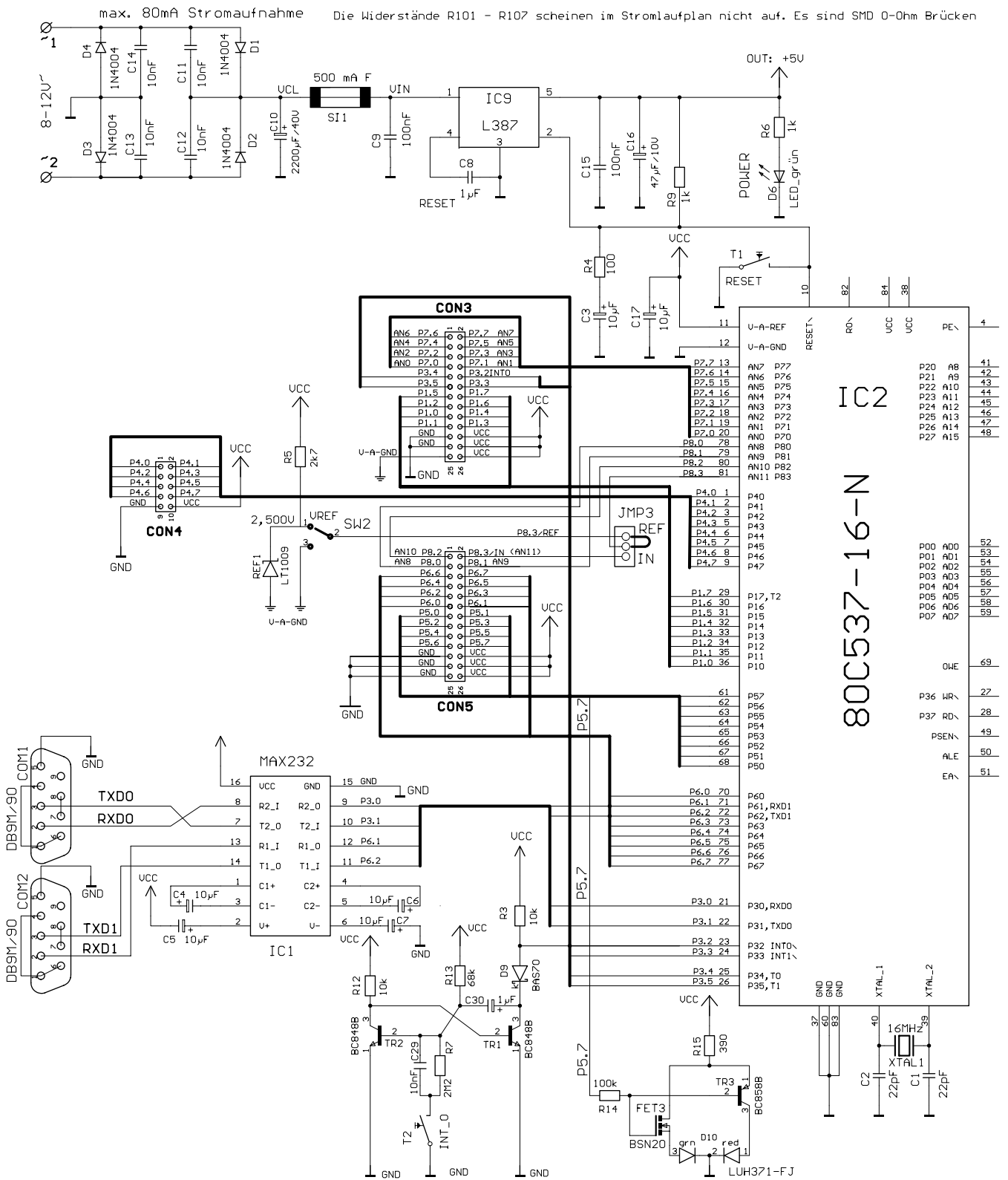


R		5	12	7 13	3	14 4	15	9	8	6	
C	13 14 5	4 11 12	10	9 7 6 29	8 30	3 15 16 17				2	1
D	3 4	1 2			9			10	6		



µProfi537
 Schematic Blatt 1/2
 Vers. 4.3 Stand v. 20.9.1998