

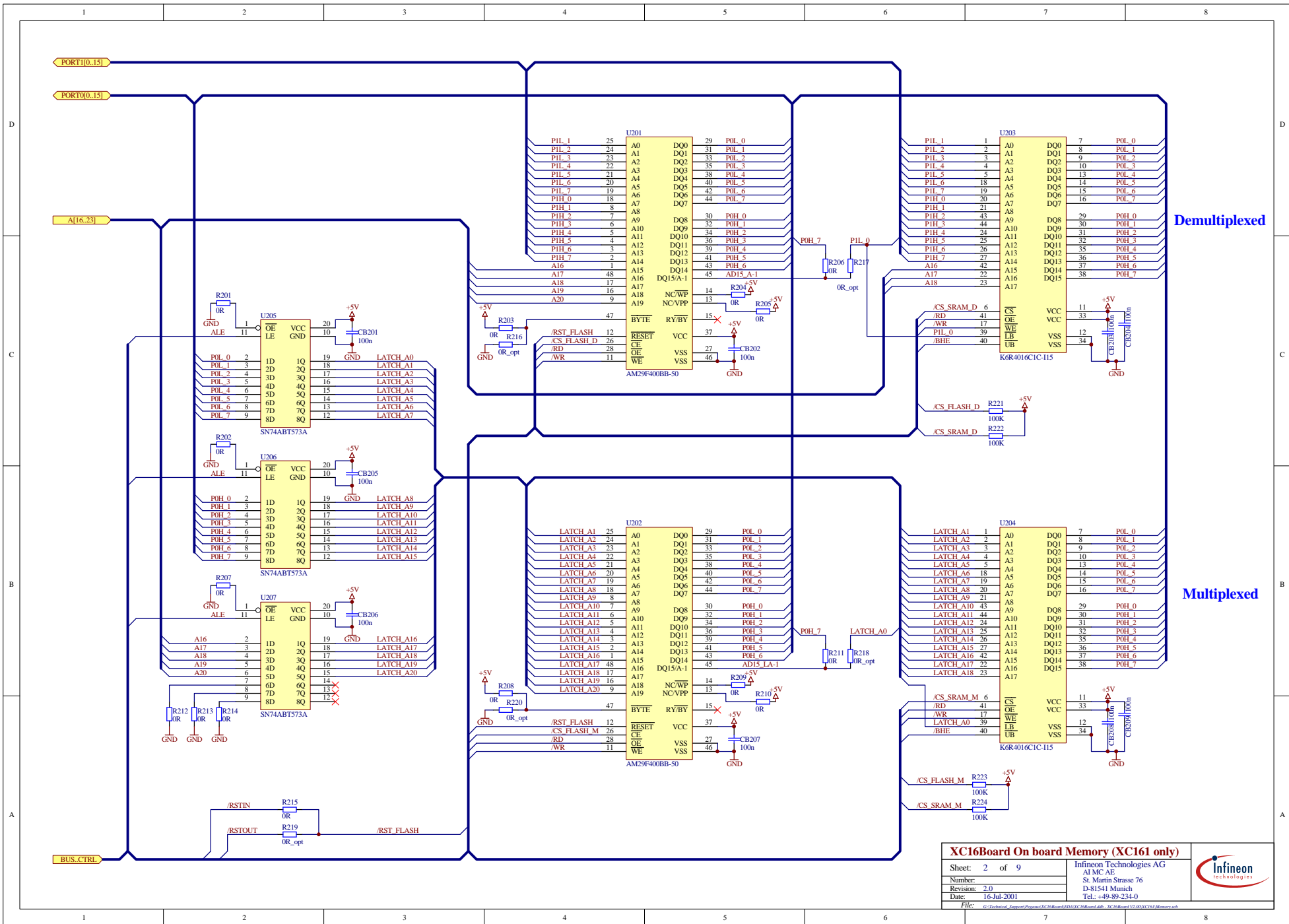
XC16Board Bussystem (XC161 only)

Sheet: 1 of 9
 Number:
 Revision: 2.0
 Date: 16-Jul-2001

Infinion Technologies AG
 AI MC AE
 St. Martin Strasse 76
 D-81541 Munich
 Tel.: +49-89-234-0



File: G:\Technical Support\Products\XC16Board\EDA\XC16Board.dtb - W:\Infinion\9200\XC161\Bus.dtb

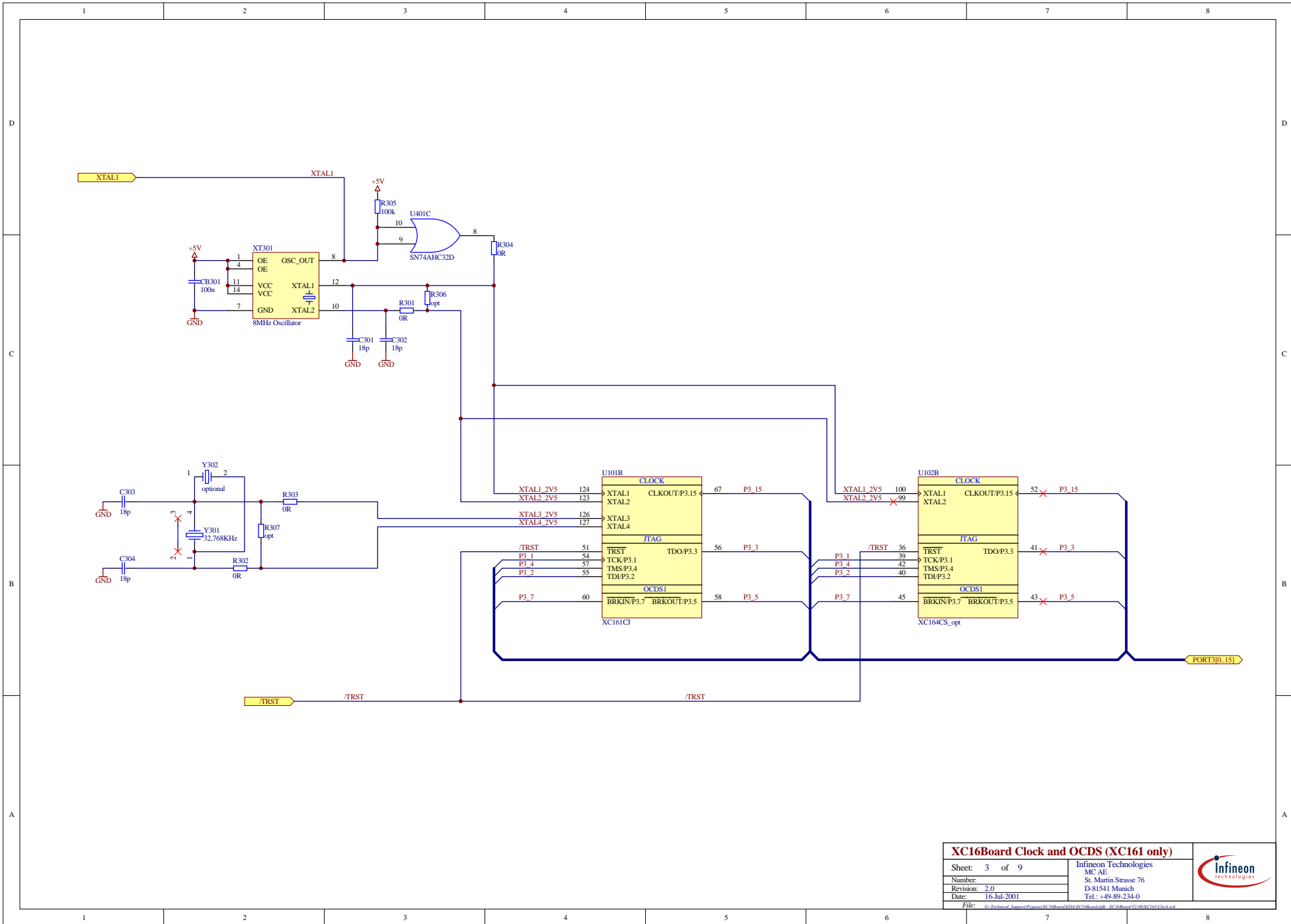


XC16Board On board Memory (XC161 only)

| | |
|-------------------|--------------------------|
| Sheet: 2 of 9 | Infinion Technologies AG |
| Number: | A1 MC AE |
| Revision: 2.0 | St. Martin Strasse 76 |
| Date: 16-Jul-2001 | D-81541 Munich |
| | Tel.: +49-89-234-0 |



File: G:\Technical Support\Products\XC16Board\EDA\XC16Board.dtb - XC16Board V2.00\XC161 Memory.sch



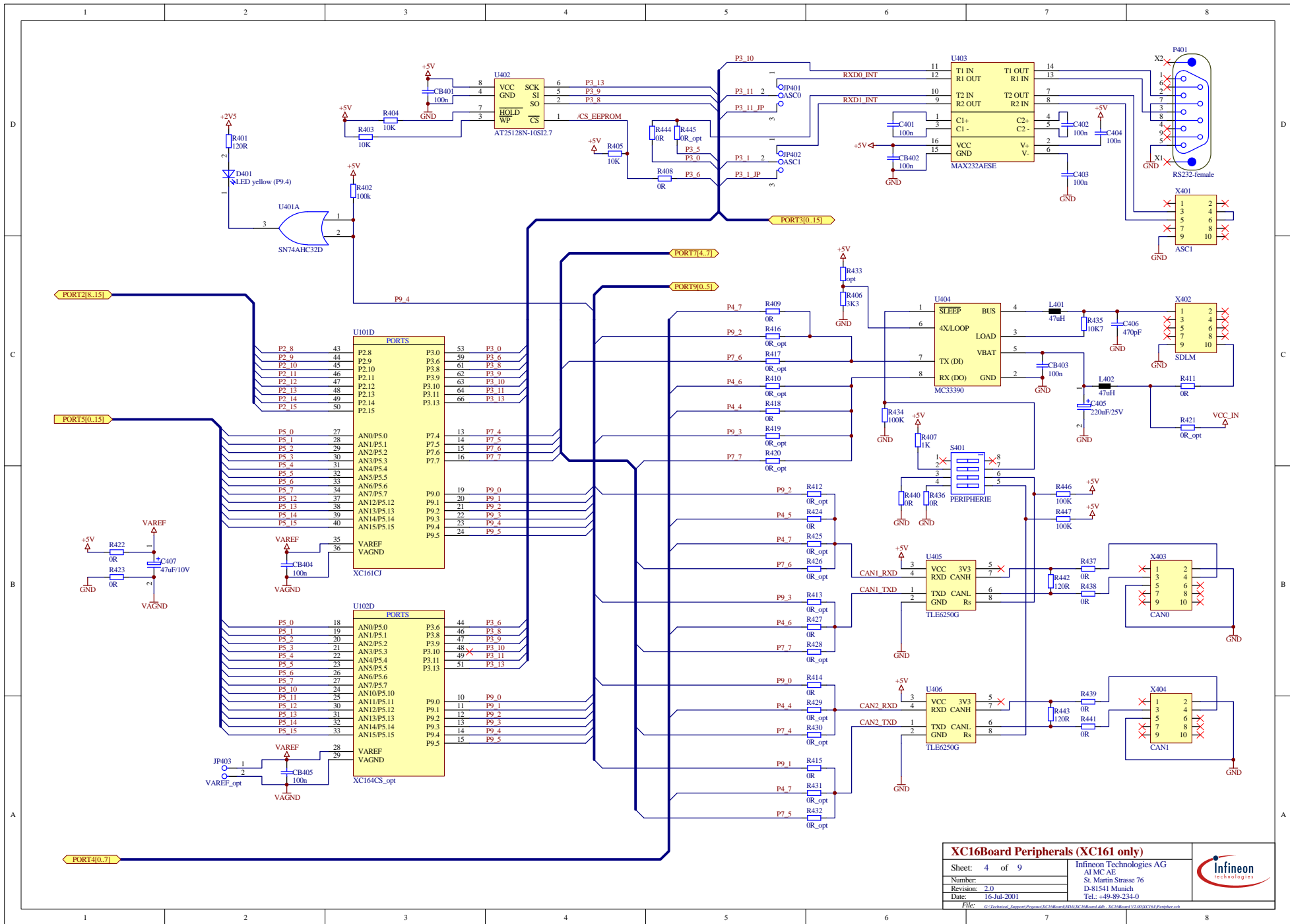
XC16Board Clock and OCDS (XC161 only)

Sheet: 3 of 9
 Number:
 Revision: 2.0
 Date: 16-Jul-2001

Infineon Technologies
 MC AE
 St. Martin Strasse 76
 D-81541 Munich
 Tel.: +49-89-234-0



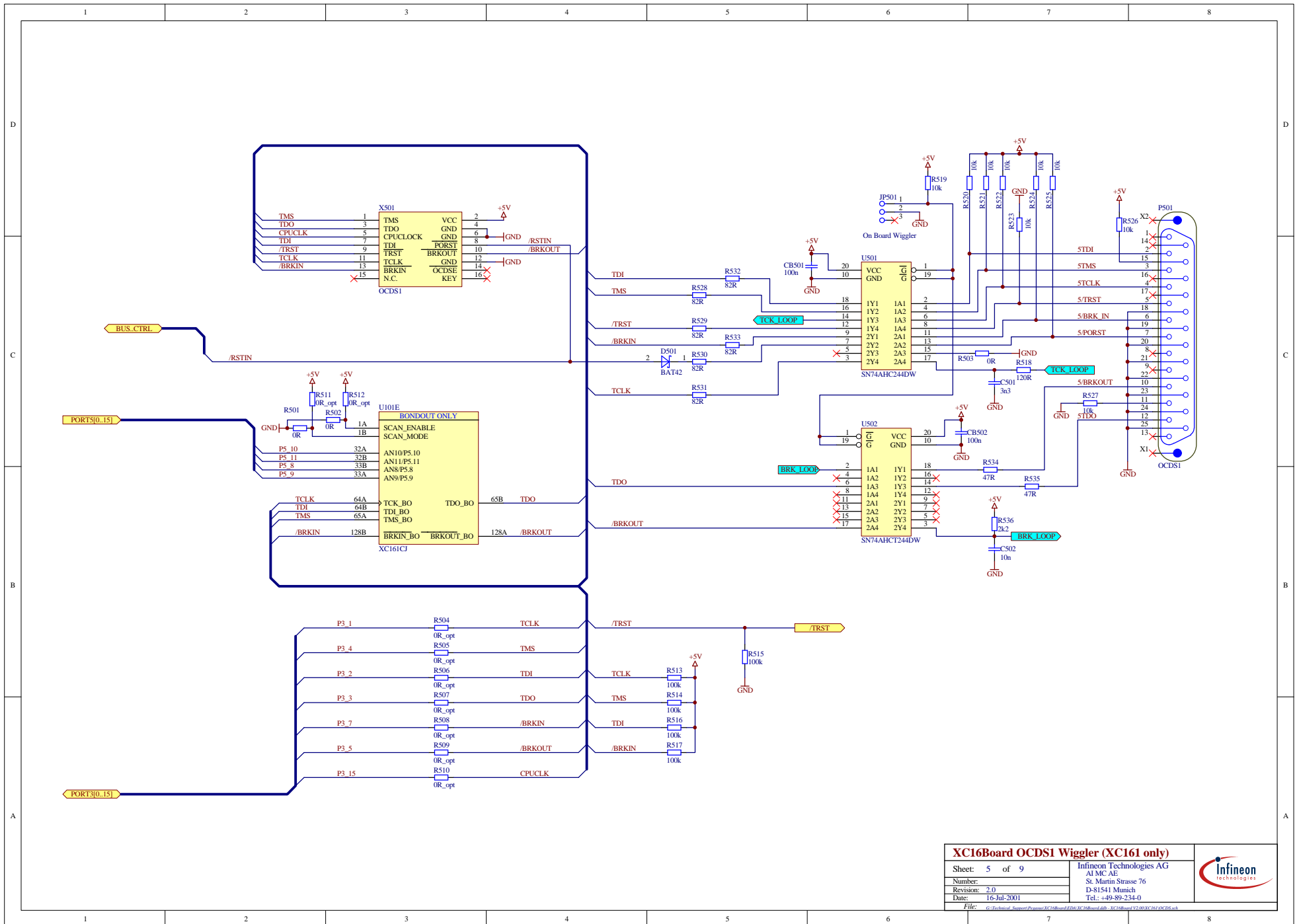
File: G:\Technical Support\Projects\XC16Board\EDA\XC16Board.ddb - XC16Board V2.00\XC161\Clock.sch

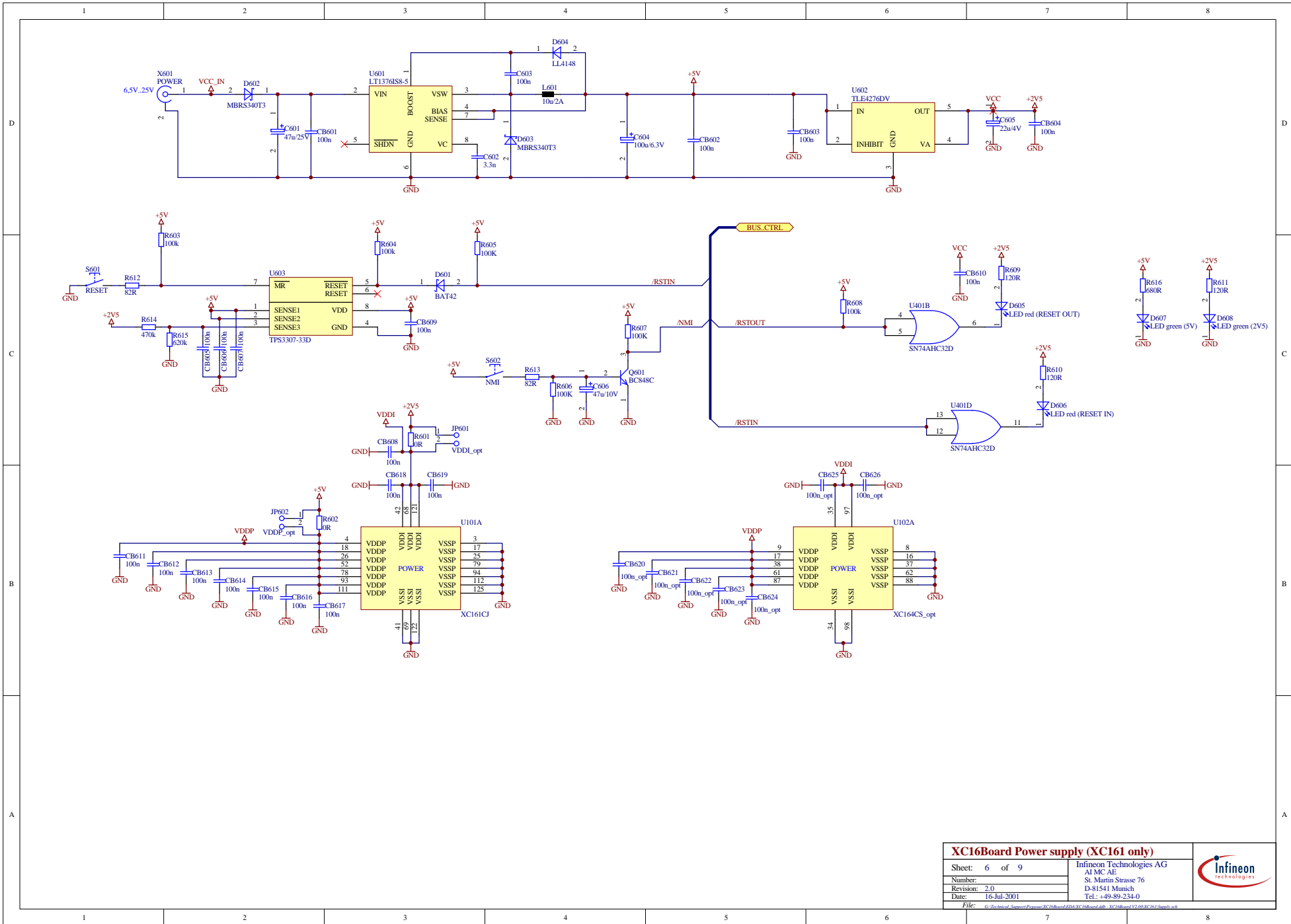


| XC16Board Peripherals (XC161 only) | |
|---|-------------|
| Sheet: | 4 of 9 |
| Number: | AI MC AE |
| Revision: | 2.0 |
| Date: | 16-Jul-2001 |
| Infinion Technologies AG St. Martin Strasse 76 D-81541 Munich Tel.: +49-89-234-0 | |



File: G:\Technical Support\Products\XC16Board\EDA\XC16Board.dtb - XC16Board V2.00\XC161 Peripherals





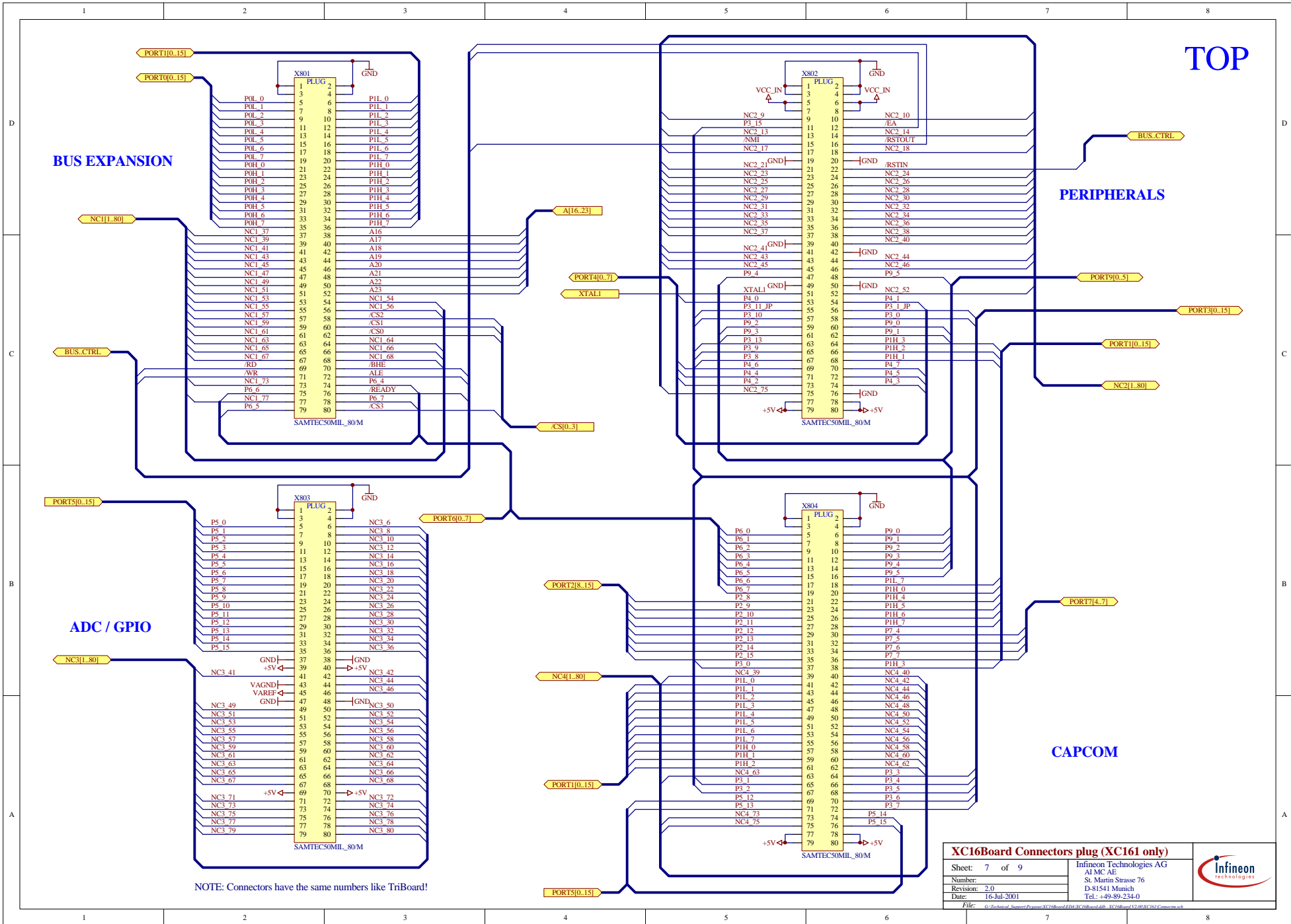
XC16Board Power supply (XC161 only)

Sheet: 6 of 9
 Number:
 Revision: 2.0
 Date: 16-Jul-2001

Infinitec Technologies AG
 AI MC AE
 St. Martin Strasse 76
 D-81541 Munich
 Tel.: +49-89-234-0



File: G:\Technical Support\Power\XC16Board\EDA\XC16Board_A6_ - XC16Board_V200\XC161_Schematic.sch



XC16Board Connectors plug (XC161 only)

Sheet: 7 of 9
 Number:
 Revision: 2.0
 Date: 16-Jul-2001

Infinitec Technologies AG
 AI MC AE
 St. Martin Strasse 76
 D-81541 Munich
 Tel.: +49-89-234-0



File: G:\Technical Support\Products\XC16Board\EDA\XC16Board.dtb; XC16Board_V200\XC161 Connectors.sch

BOTTOM

BUS EXPANSION

PERIPHERALS

ADC / GPIO

CAPCOM

NOTE: Connectors have the same numbers like TriBoard!

XC16Board Connectors socket (XC161 only)

| | |
|-------------------|--------------------------|
| Sheet: 8 of 9 | Infinion Technologies AG |
| Number: AI MC AE | St. Martin Strasse 76 |
| Revision: 2.0 | D-81541 Munich |
| Date: 16-Jul-2001 | Tel.: +49-89-234-0 |



File: G:\Technical Support\Products\XC16Board\XC16Board.dwg - XC16Board V2.00.XC161 Connectors.dwg

