

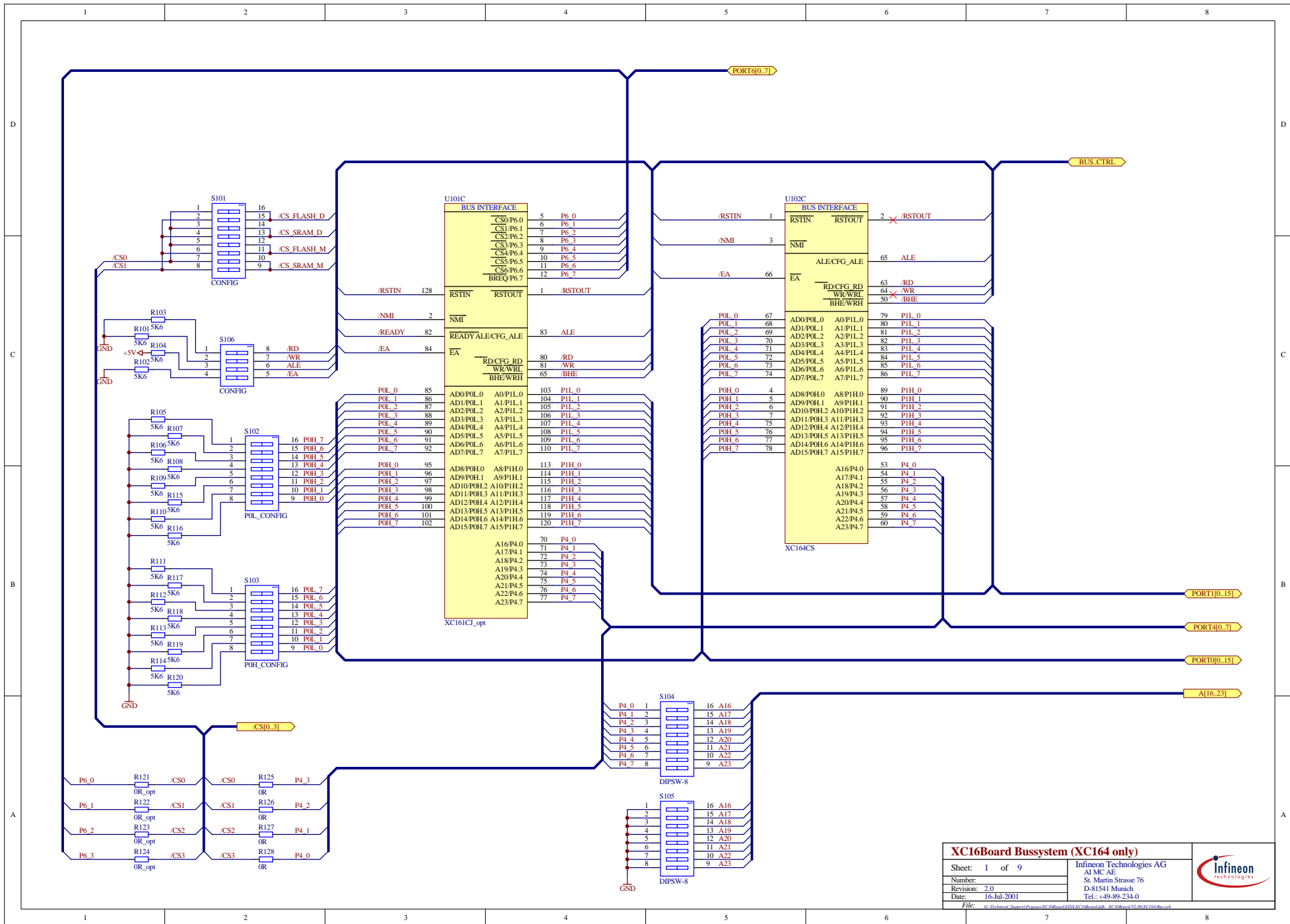
XC16Board Project (XC164 only)

Sheet: 9 of 9
 Number:
 Revision: 2.0
 Date: 16-Jul-2001

Infineon Technologies AG
 AI MC AE
 St. Martin Strasse 76
 D-81541 Munich
 Tel.: +49-89-234-0



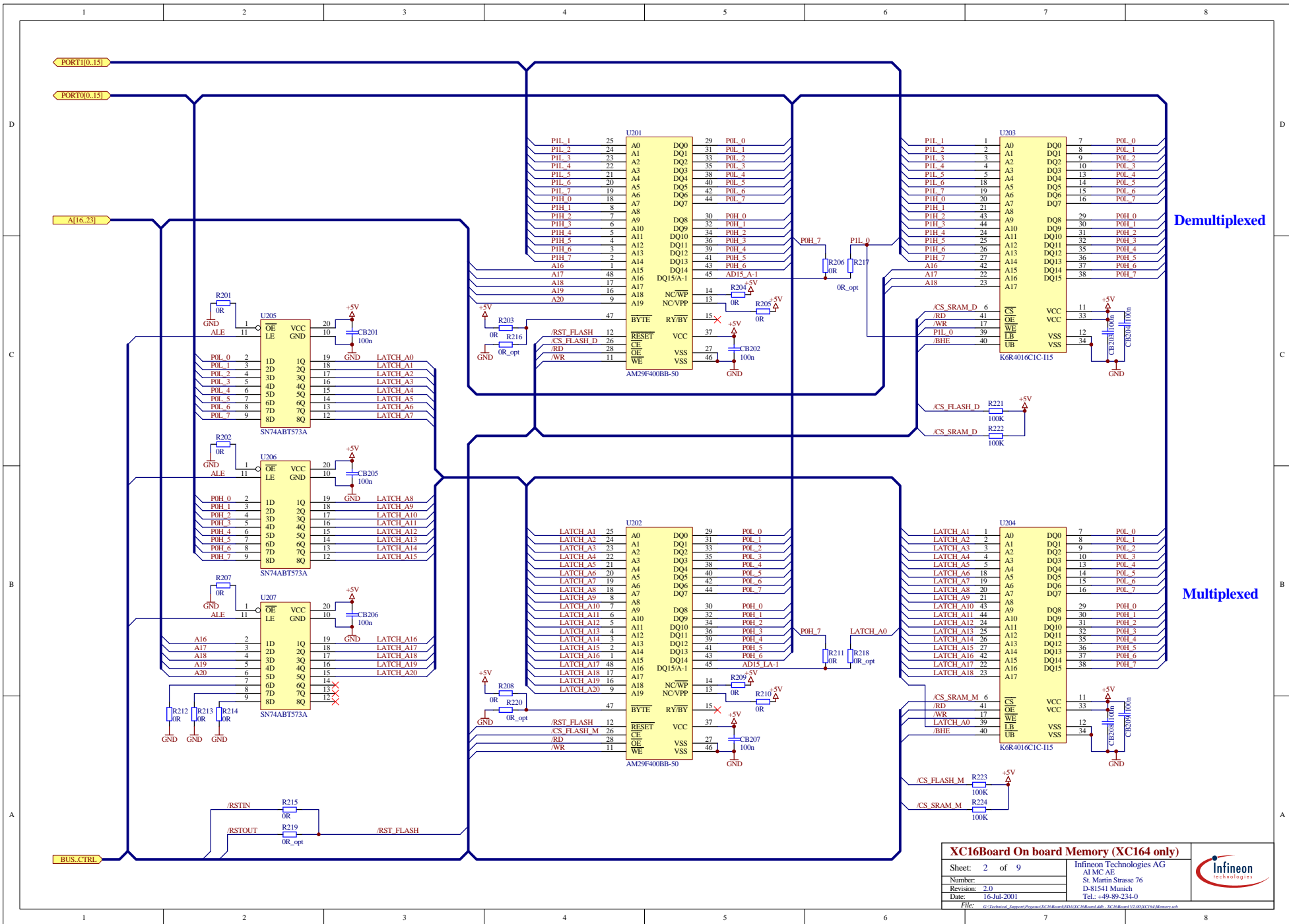
File: G:\Technical Support\Projects\XC16Board\EDA\XC16Board.dtb - XC16Board V2.00\XC164.dtb



XC16Board Bussystem (XC164 only)	
Sheet: 1 of 9	Infineon Technologies AG
Number:	AI MC AE
Revision: 2.0	St. Martin Strasse 76
Date: 16-Jul-2001	D-81541 Munich
	Tel.: +49-89-234-0



File: G:\Technical Support\Products\XC16Board\EDA\XC16Board.dtb - W:\Inhouse\V200\XC164.dtb

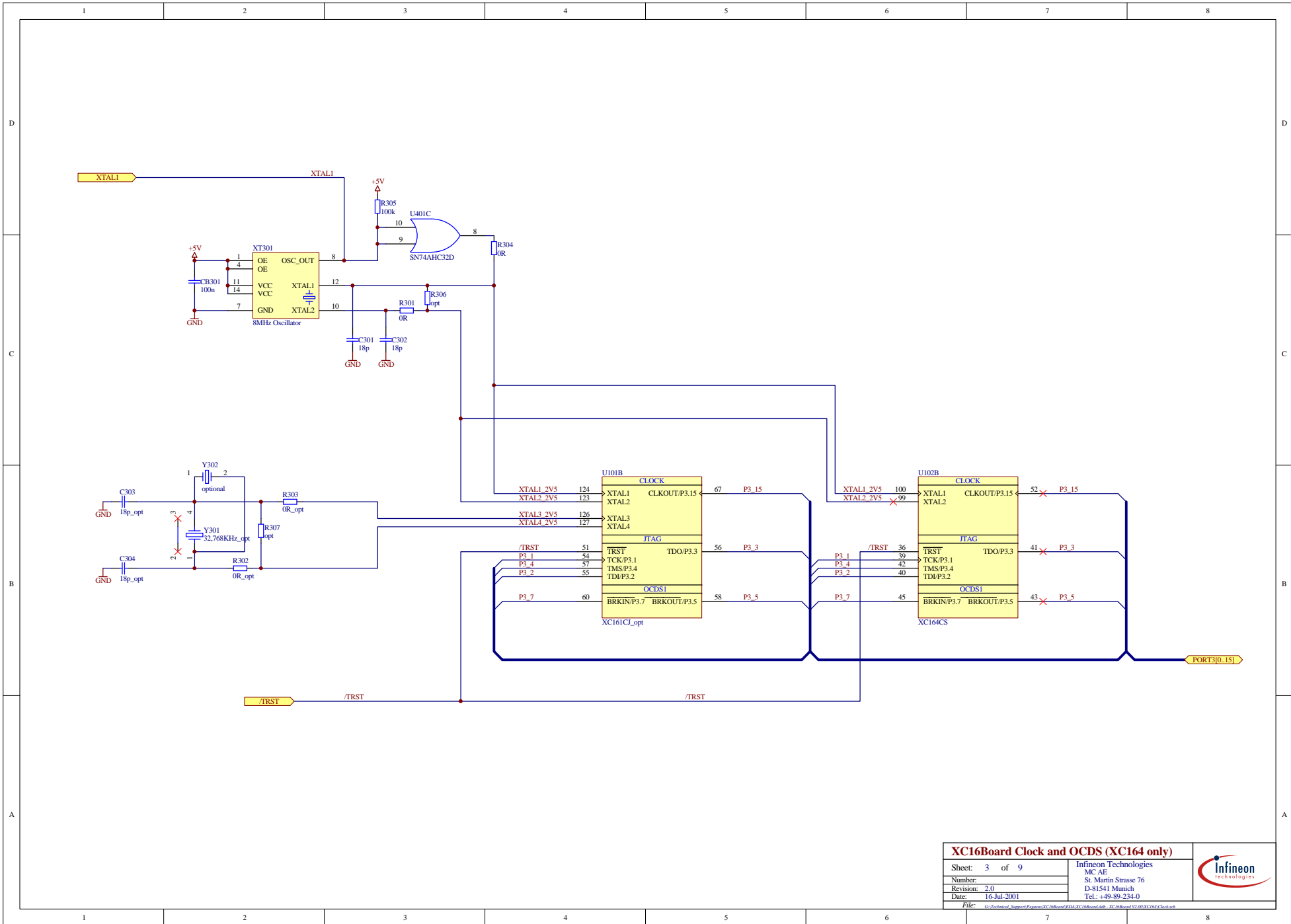


XC16Board On board Memory (XC164 only)

Sheet: 2 of 9	Infinion Technologies AG
Number:	A1 MC AE
Revision: 2.0	St. Martin Strasse 76
Date: 16-Jul-2001	D-81541 Munich
	Tel.: +49-89-234-0



File: G:\Technical Support\Products\XC16Board\EDA\XC16Board.dtb - XC16Board V2.00\XC164 Memory.sch



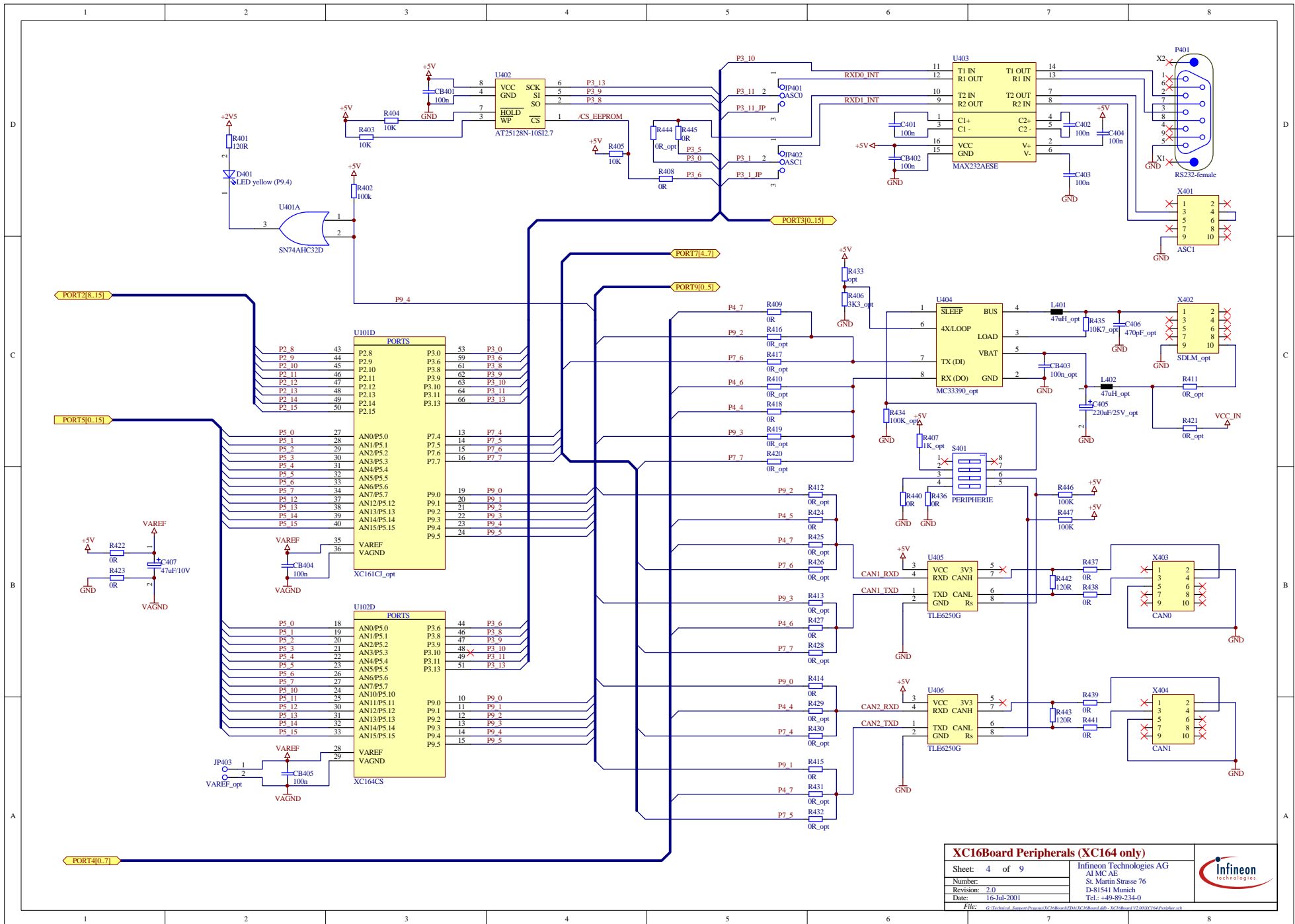
XC16Board Clock and OCDS (XC164 only)

Sheet: 3 of 9
 Number:
 Revision: 2.0
 Date: 16-Jul-2001

Infineon Technologies
 MC AE
 St. Martin Strasse 76
 D-81541 Munich
 Tel.: +49-89-234-0



File: G:\Technical Support\Projects\XC16Board\EDA\XC16Board.ddb - XC16Board_V200\XC164Clock.csh

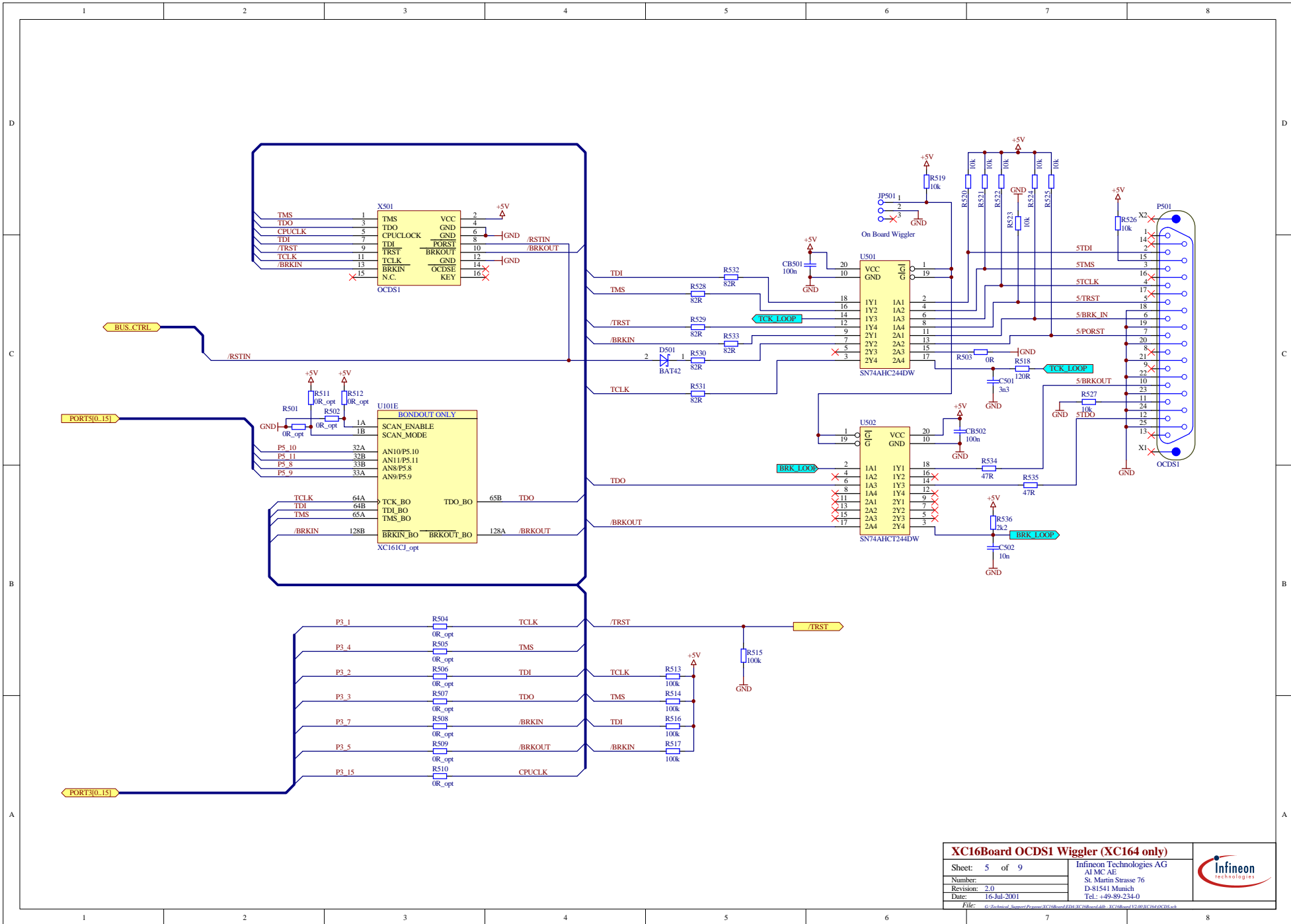


XC16Board Peripherals (XC164 only)

Sheet: 4 of 9	Infinion Technologies AG
Number:	AI MC AE
Revision: 2.0	St. Martin Strasse 76
Date: 16-Jul-2001	D-81541 Munich
	Tel.: +49-89-234-0



File: G:\Technical Support\Power\XC16board\EDA\XC16board.dtb - XC16board V2.00\XC164 Peripherals



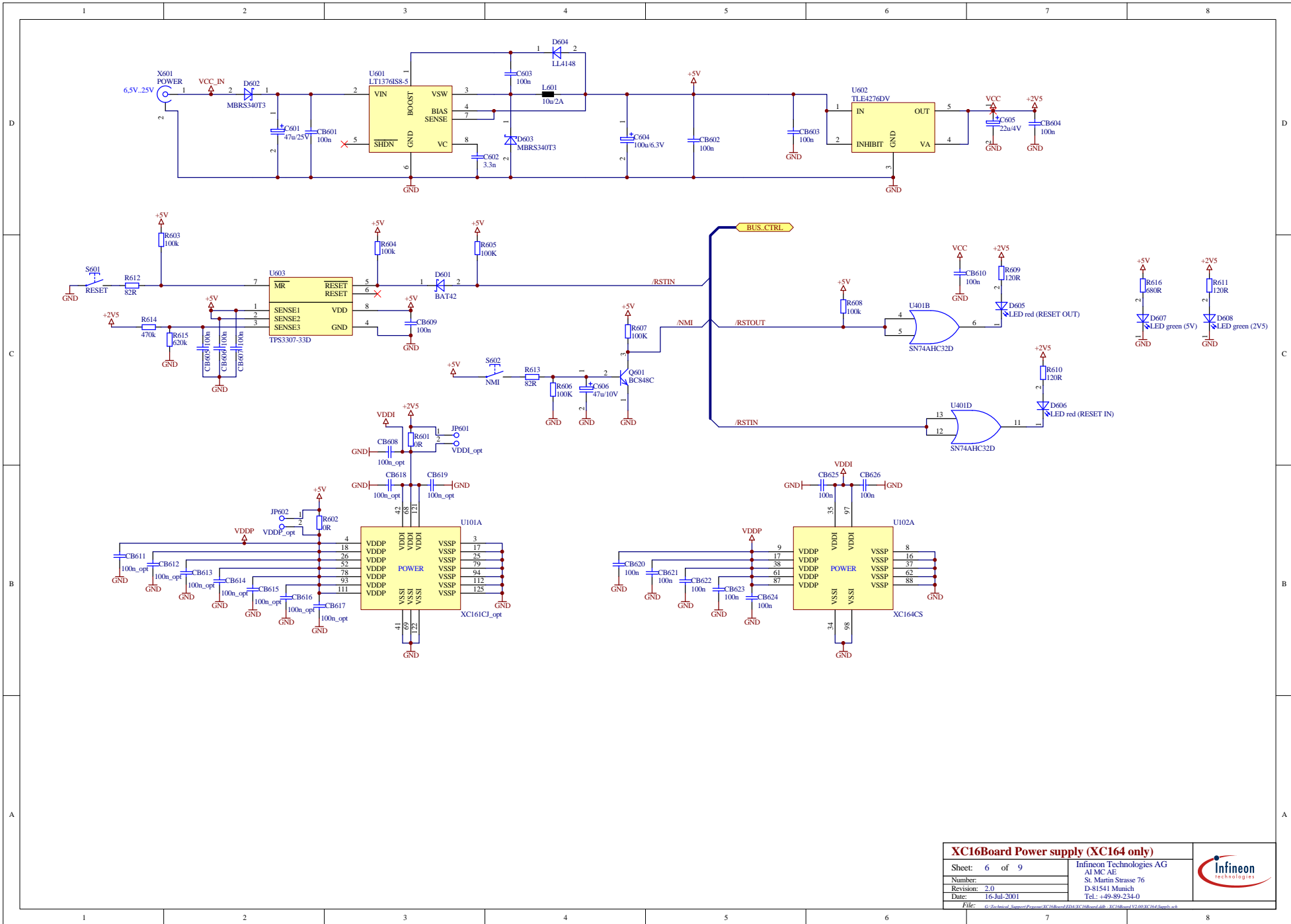
XC16Board OCDS1 Wiggler (XC164 only)

Sheet: 5 of 9
 Number:
 Revision: 2.0
 Date: 16-Jul-2001

Infinion Technologies AG
 AI MC AE
 St. Martin Strasse 76
 D-81541 Munich
 Tel.: +49-89-234-0

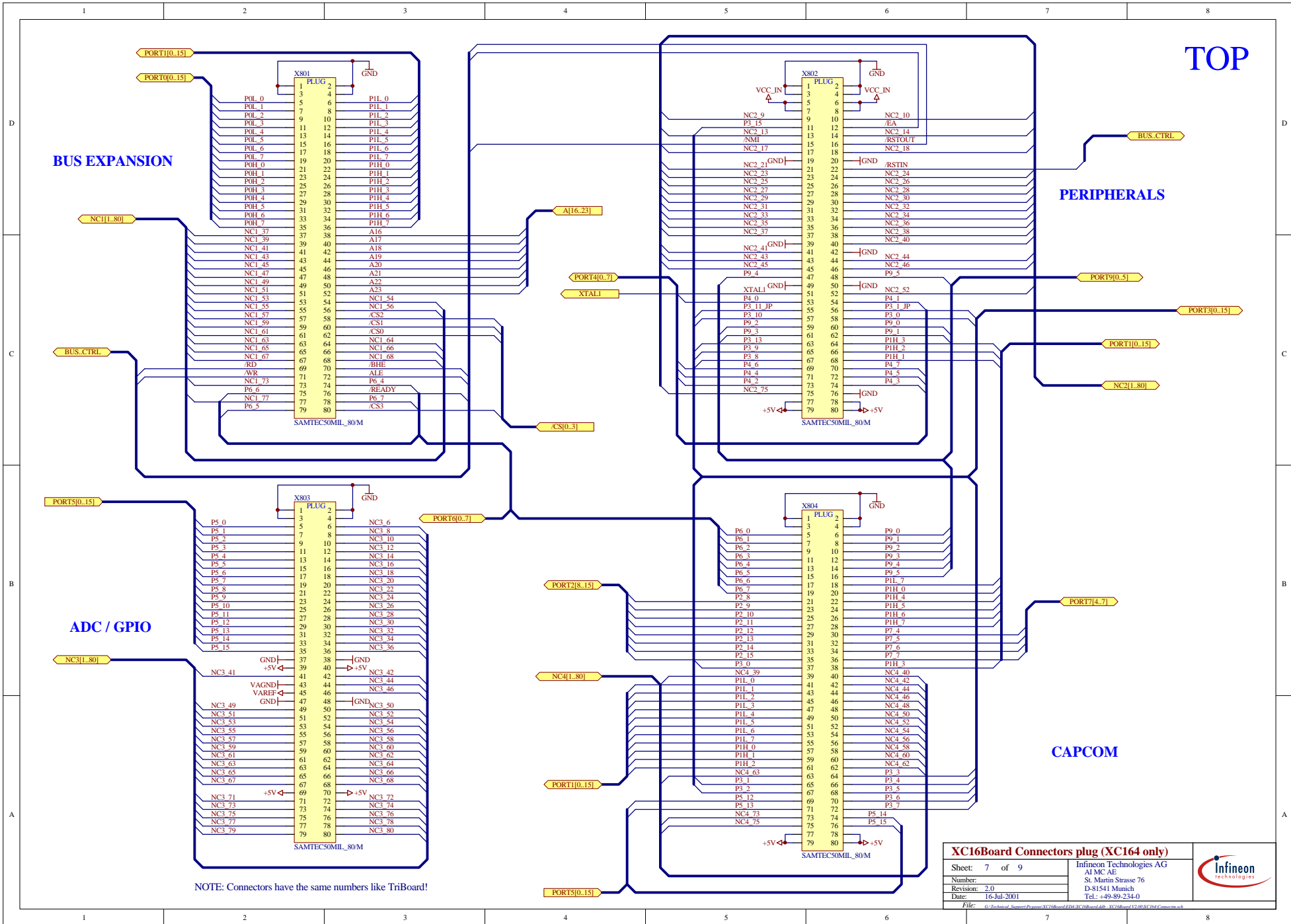


File: G:\Technical Support\Products\XC16Board\EDA\XC16Board\lib\XC16Board_V200\XC164.dwg



XC16Board Power supply (XC164 only)		
Sheet:	6 of 9	
Number:		
Revision:	2.0	
Date:	16-Jul-2001	

File: G:\Technical Support\Power\XC16Board\EDA\XC16Board_A6_ -XC16Board_V200.XC164.sch



TOP


BUS EXPANSION

PERIPHERALS

ADC / GPIO

CAPCOM

NOTE: Connectors have the same numbers like TriBoard!

XC16Board Connectors plug (XC164 only)	
Sheet: 7 of 9	Infinitec Technologies AG
Number: AI MC AE	St. Martin Strasse 76
Revision: 2.0	D-81541 Munich
Date: 16-Jul-2001	Tel.: +49-89-234-0
	

File: G:\Technical Support\Products\XC16Board\EDA\XC16Board.dtb; XC16Board_V20010716\Connectors.wxl

BOTTOM

BUS EXPANSION

NC1[1..80]

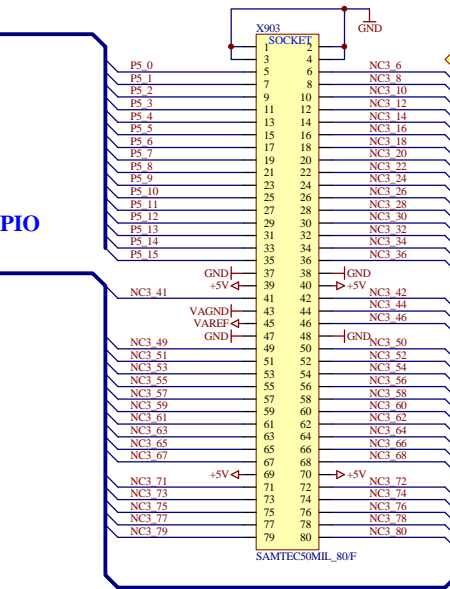
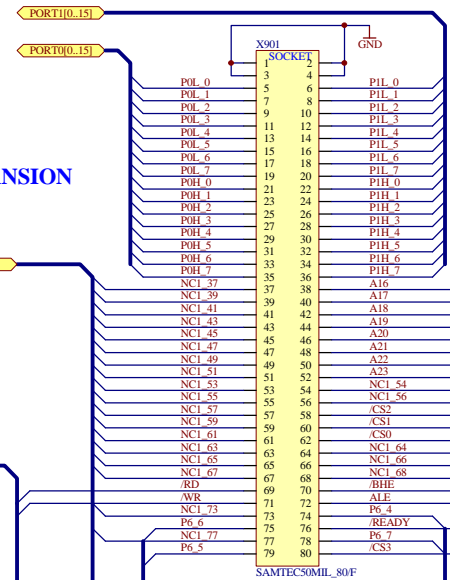
BUS_CTRL

PORT5[0..15]

ADC / GPIO

NC3[1..80]

NOTE: Connectors have the same numbers like TriBoard!



A[16..23]

PORT4[0..7]

XTAL1

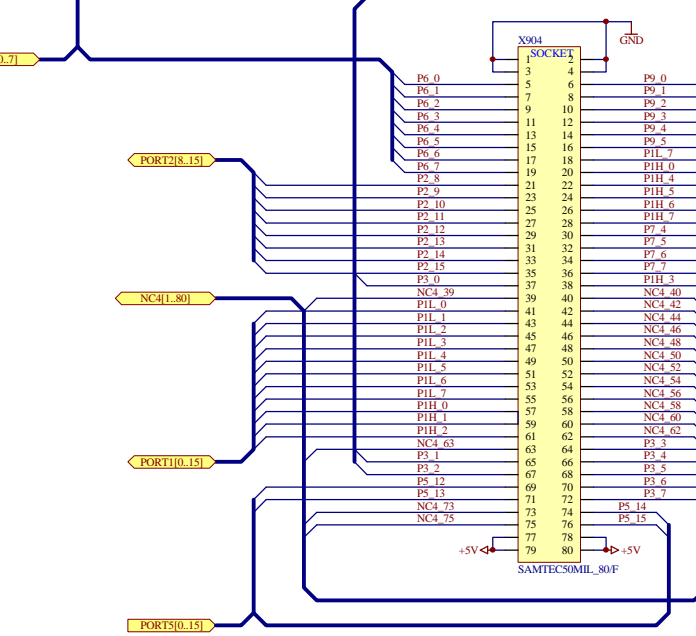
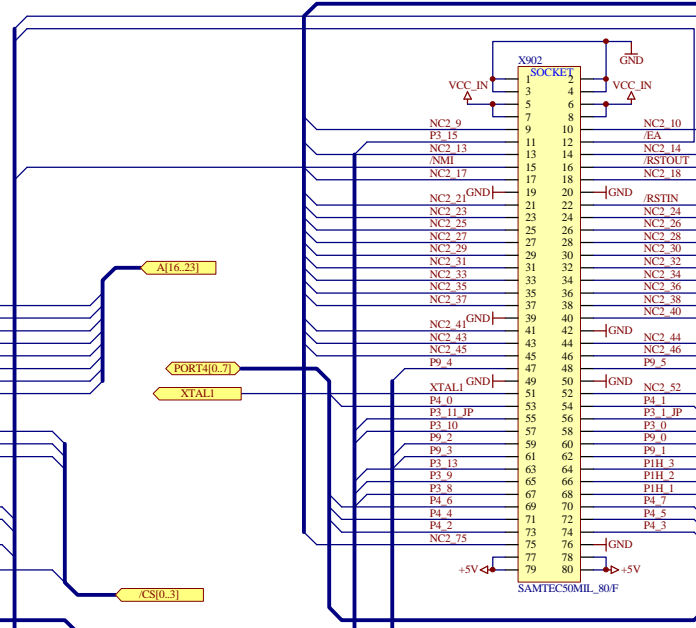
CS[0..3]

PORT2[8..15]

NC4[1..80]

PORT1[0..15]

PORT5[0..15]



PERIPHERALS

PORT9[0..5]

PORT3[0..15]

PORT1[0..15]

NC2[1..80]

PORT7[4..7]

CAPCOM

XC16Board Connectors socket (XC164 only)

Sheet: 8 of 9	Infinion Technologies AG
Number: AI MC AE	St. Martin Strasse 76
Revision: 2.0	D-81541 Munich
Date: 16-Jul-2001	Tel.: +49-89-234-0



File: G:\Technical Support\Process\XC16Board\XC16Board.dwg - XC16Board V2.00\XC164Connect.dwg