

## Parallel Ports

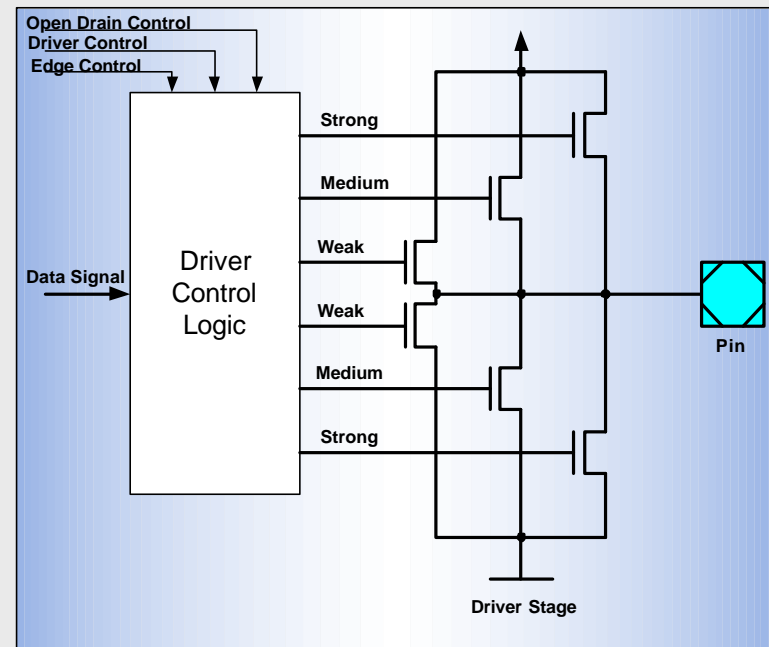
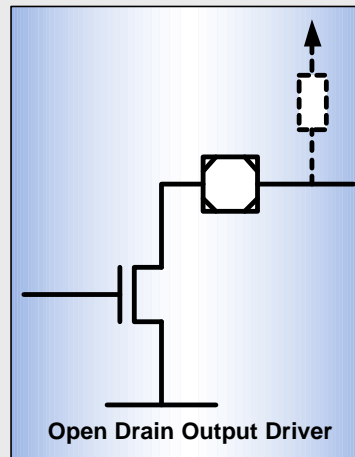
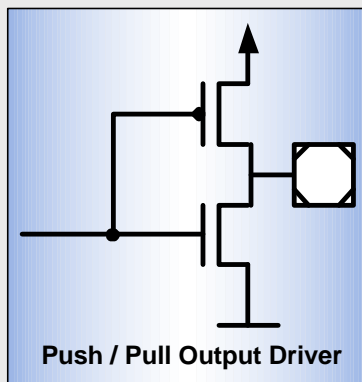
---

- Number of Port Pins
  - 99 I/O lines (XC161CJ), 5 Volt +/- 10 %
  - 79 I/O lines (XC 164CS), 5 Volt +/- 10 %
- Organized in nine input/output ports and one input port (XC161CJ)
- Organized in six input/output ports and one input port (XC164CS)
- Input Threshold Control
  - TTL standard
  - CMOS
- Output Driver Control

# Parallel Ports

## ■ Output Driver Control

- Open Drain Mode
- Driver Characteristic
- Edge Characteristic



## Parallel Ports

---

- Port20 has been added
  - Allows the pins previously dedicated to be used as general purpose I/O when the external bus is not enabled.
  - Provides up to 6 additional I/O
    - ◆ /RD
    - ◆ /WR
    - ◆ /EA
    - ◆ /READY
    - ◆ ALE
    - ◆ /RSTOUT

## Parallel Ports

### Additional features to C16x

#### XC16x

- Voltages
  - 5V I/Os & ADC
  - 2.5V logic,
  - 2.5V oscillator supply
- Power Management
  - idle,sleep,power down

#### C16x

- Voltages
  - 5V I/Os & ADC
  - 5V logic,
  - 5V oscillator supply
- Power Management
  - idle,sleep,power down