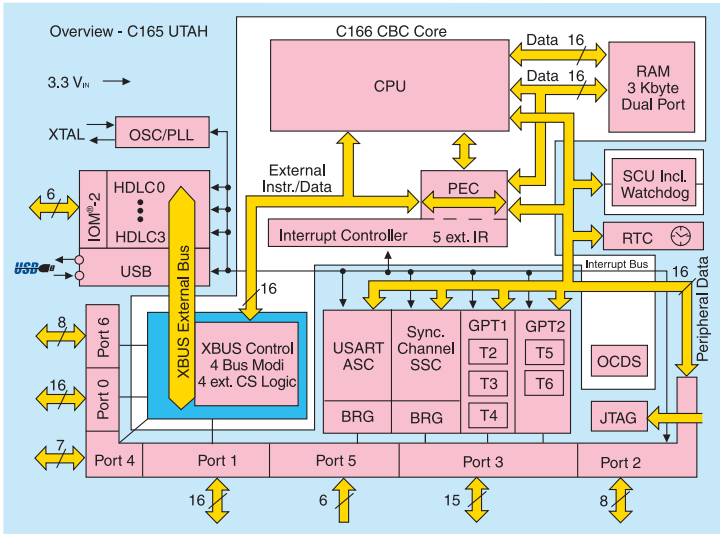


C165 UTAH: Block Diagram

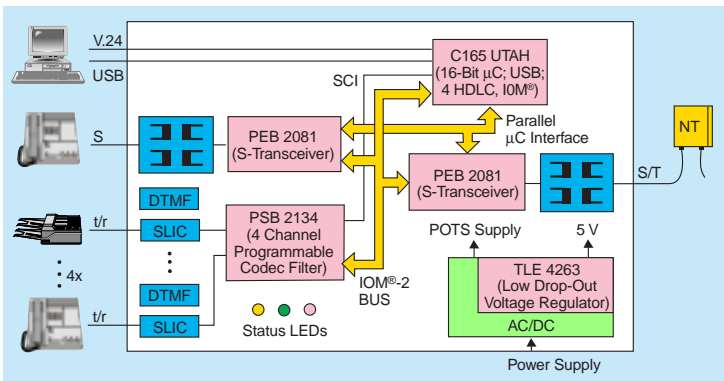


Document and Support Package

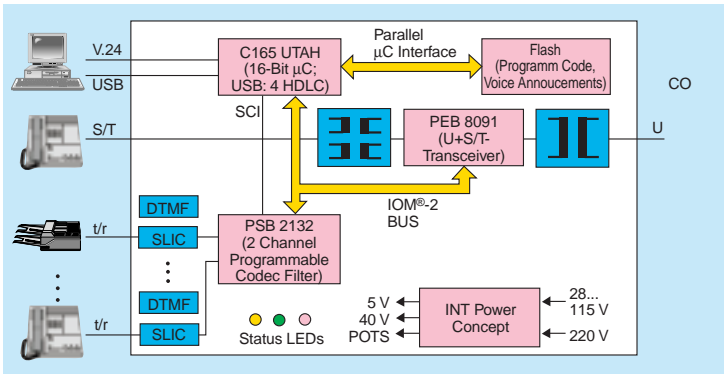
- Application Notes
- System Verification Report
- Application Hints
- CD-ROM

C165 UTAH: Application Examples

Infinion Solution for Low Cost SOHO PBX - Data Port(s)



High End Intelligent NT for 2B1Q Linecode



Availability

The UTAH device is available with complete documentation and support package. A dedicated engineering support team is there to assist you. Please contact your local Infineon office for further details.

- (A) Wien ☎ (+43) 1-1707-356 11
- (AUS) Bayswater, Victoria 3153 ☎ (+61) 3-9721 2111
- (B) Brussel/Bruxelles ☎ (+32) 2-536 69 05
- (BR) São Paulo-SP ☎ (+55) 11-3908 23 77/2684 26 84
- (CDN) Kanata, Ontario K2K 2E2 ☎ (+1) 613-591 63 86
- (CH) Zürich ☎ (+41) 1-495 30 65
- (D) Düsseldorf ☎ (+49) 211-399 29 30
Laatzen (Hannover) ☎ (+49) 511-877 27 06
München ☎ (+49) 89-9221 40 86
Nürnberg ☎ (+49) 911-654 76 22
Stuttgart ☎ (+49) 711-137 33 14
- (DK) Ballerup ☎ (+45) 4477-44 77
- (E) Tres Cantos-Madrid ☎ (+34) 91-514 74 47
- (F) Saint-Denis CEDEX 2 ☎ (+33) 1-49223 31 00
- (FIN) Espoo (Helsinki) ☎ (+358) 9-5105 1
- (GB) Bracknell, Berkshire RG 12 8FZ ☎ (+44) 1344-39 6618
- (GR) Amaroussio/Athens ☎ (+30) 1-686 41 11
- (HK) Hong Kong ☎ (+852) 2832 05 00
- (I) Milano ☎ (+39) 02-6676-1
- (IND) Bangalore 561 229 ☎ (+91) 80-852 1349
New Delhi 110 002 ☎ (+91) 11-331 9912
Mumbai 18 ☎ (+91) 22-496 21 99
- (IRL) Dublin 4 ☎ (+353) 1-216 23 42
- (J) Tokyo 141-0022 ☎ (+81) 3-5449 64 11
- (MAL) Penang 11900 ☎ (+60) 4-637 3146
- (N) Oslo ☎ (+47) 22-63 30 00
- (NL) Den Haag ☎ (+31) 70-333 2065
- (NZ) Auckland ☎ (+64) 9-520 3033
- (P) Amadora ☎ (+35) 1-417 00 11
- (PK) Islamabad ☎ (+92) 51-21 2200
- (PL) Warszawa ☎ (+48) 2-670 91 51
- (RC) Taipei ☎ (+886) 2-2773 66 06
- (ROK) Seoul 135-080 ☎ (+82) 2-527 77 00
- (RUS) Moskva ☎ (+7) 095-737-1435, -1436
- (S) Kista ☎ (+46) 8-705 35 00
- (SGP) Singapore 349 253 ☎ (+65) 840 06 10
- (TR) Fındıklı (Istanbul) ☎ (+90) 212-251 09 00
- (USA) Cupertino, CA 95014 ☎ (+1) 408-257 79 10
Iselein, NJ 08830-2770 ☎ (+1) 732-906 43 00
San Jose, CA 95112 ☎ (+1) 408-501 60 00
- (VRC) Beijing 100037 ☎ (+86) 10-6857 90 -06, -07
Chengdu, Sichuan Province ☎ (+86) 28-661 5446 / 7951
Shanghai 200 003 ☎ (+86) 21-6361 26 18/19
Shenzhen 518 005 ☎ (+86) 755-228 9104
- (ZA) Halfway House 1685 ☎ (+27) 11-652-20 00, -27 00

Published by
Infineon Technologies Corporation
Group Communications
1730 North First Street, San Jose, CA 95112, USA

© Infineon Technologies Corp. 1999. All Rights Reserved.
This information describes certain components but shall not be considered as warranted characteristics of the components described. We reserve the right to make technical changes at any time. All warranties regarding the circuits, descriptions and charts, including but not limited to warranties of non-infringement, are hereby disclaimed. Infineon Technologies is an approved CECC manufacturer.

For further information on technology, delivery terms and conditions and prices please contact your nearest Infineon Technologies Office.

Warnings
Due to technical requirements components may contain dangerous substances. For information on particular components, please contact your nearest Infineon Technologies office.

Infineon Technologies components may only be used in life-support devices or systems with the express written approval of Infineon Technologies, if a failure of such components could cause the failure of that life-support device or system, or to affect the safety or effectiveness of that device or system. If they fail, it is reasonable to assume that the health of the user or other persons may be endangered.